

AMETEK

Alarm and Event Recording

AN-5131 Annunciator Display Unit

The Ametek AN-5131 Annunciator Display is available in an unlimited variety of configurations. This modular window annunciator is structured around extruded aluminum cells. Each cell can be divided to provide one, two, three, or four windows and lamp displays. This feature can also be used in the field to easily expand capacity by changing per-cell displays to correspondingly smaller sizes. Windows are available in an assortment of sizes and colors that can be mixed or matched in any combination. Bezels and mounting hardware are provided for panel mounting. AN-5131 input options include terminals or connectors.



Pushbutton Control Module

A Pushbutton Control Module is available which controls the remote annunciator electronics by providing pushbuttons for TEST, ACKNOWLEDGE, SILENCE and RESET functions.



Pushbutton Control Module — with switch pad and power on LED

The Pushbutton Control Module mounts integrally to the AN-5131 Annunciator Display Unit, usually occupying the lower right hand cell.

AN-5131 Windows & Engraving

Windows are available in five different solid colors to easily differentiate groups of points by nature of the alarm. Operators quickly distinguish solid color windows.

The windows slide onto the front of the input card and can be quickly removed and exchanged when you need to internally expand the number of inputs or change your legend.

Each module has up to 8 bulbs to provide lighting redundancy in any configuration or density. Double intensity lighting is optional with eight bulbs per point on single input and four bulbs per point on dual input modules.

Engraving Guidelines

Character Size	Inches	Maximum Number of Lines Per Window				Approximate Total Number of Characters Available on any Line
		Extra Large Window	Large Window	Medium Window	Standard Window	
02	1/16	33	15	10	5	37
03	3/32	22	10	7	4	28
04	1/8	16	7	5	3	21
05	5/32	13	6	4	3	17
06	3/16	10	5	3	2	13
07	7/32	9	4	3	2	11
08	1/4	8	4	2	2	10
09	9/36	7	3	2	1	9
10	5/16	6	3	2	1	8
11	11/32	5	2	1	1	7
12	3/8	5	2	1	1	7
13	13/32	5	2	1	1	6
14	7/16	4	2	1	1	6
15	15/32	4	2	1	1	5
16	1/2	4	2	1	1	5

Window Colors Available

- White
- Red
- Amber
- Green
- Blue

Engraving

Fifteen different letter sizes are available. The chart below describes the maximum number of lines and maximum number of characters per line for each letter size. The standard lettering is in condensed gothic. Many other types of lettering and symbols are available.



2.85"
(72.39mm)

Single-point window (extra large)



3.34"
(84.48mm)



2.85"
(72.39mm)

Two-point windows (large)



1.67"
(42.42mm)



2.85"
(72.39mm)

Three-point windows (medium)



1.11"
(28.3mm)



2.85"
(72.39mm)

Four-point windows (standard)



.83"
(21.25mm)

AMETEK

Alarm and Event Recording

AN-5131 Dimensions & Connections

19" Rack Mounting

The standard configuration is 6 cells wide. It is recommended that systems less than 6 cells wide be ordered with a bezel. (STD/2 Option)

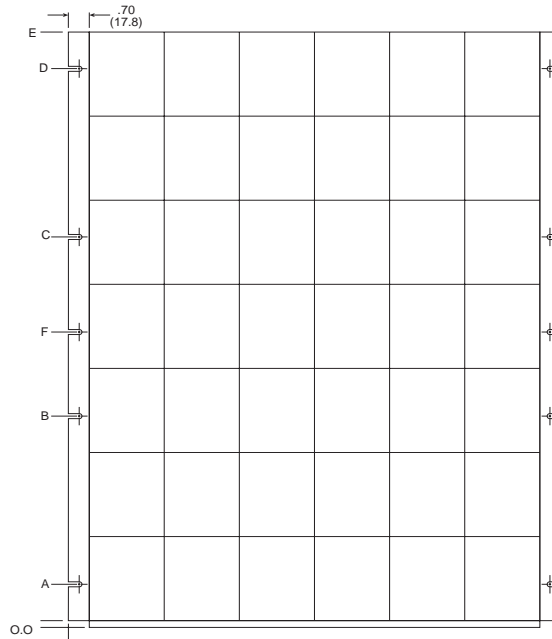
Mounting Depth: 4.5" (114.3 mm)

Mounting Information

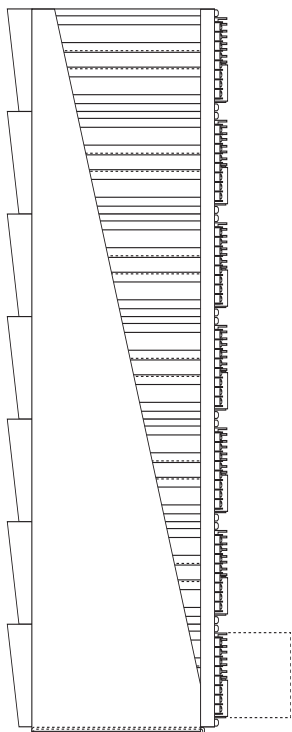
	A	B	C	D	E	F	
Number of Cells High	1H	.859 (21.8)	2.609 (66.2)	—	—	3.469 (88.0)	
	2H	1.484 (37.7)	5.434 (139.3)	—	—	6.969 (177.0)	
	3H	1.484 (37.7)	3.734 (94.8)	6.734 (171.0)	8.984 (228.2)	10.469 (265.9)	
	4H	1.484 (37.7)	5.484 (139.3)	8.484 (215.5)	12.484 (317.1)	13.969 (354.8)	
	5H	1.484 (37.69)	5.484 (149.3)	11.984 (304.4)	15.984 (406.0)	17.469 (443.7)	
	6H	1.484 (37.69)	5.484 (139.29)	15.484 (393.29)	19.484 (494.9)	20.969 (532.61)	10.484 (266.29)
	7H	1.484 (37.69)	5.484 (139.29)	18.984 (482.19)	22.984 (583.79)	24.469 (621.51)	12.484 (317.09)

The mounting information shown above provides support locations depending on the number of cells the system is high. (distance from 0.0 reference.)

Typical Rack Mounting Front View

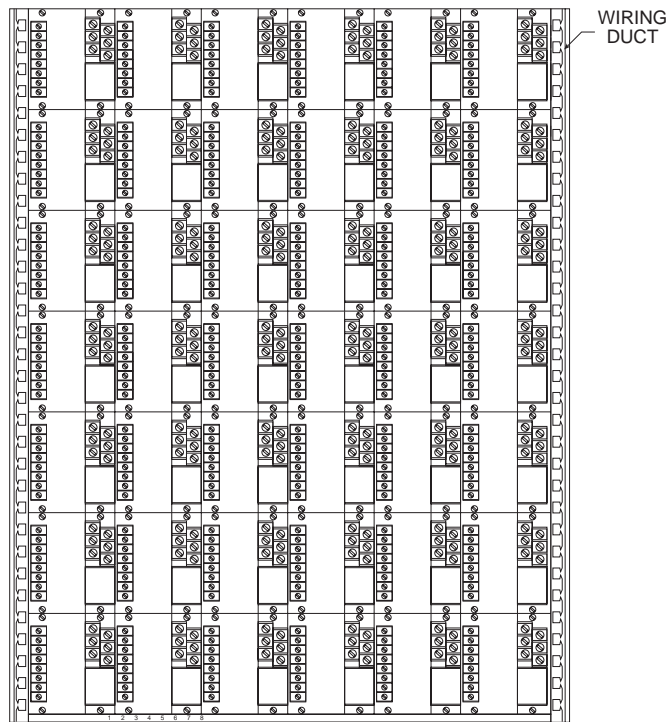


Side View



Note: Wiring Duct supplied on both sides for 3 cell high → systems and larger.

Rear View



Panel Mounting

All mounting dimensions are based on the number of cells, not windows. Each cell can be divided into up to 4 windows.

Panel Mounting

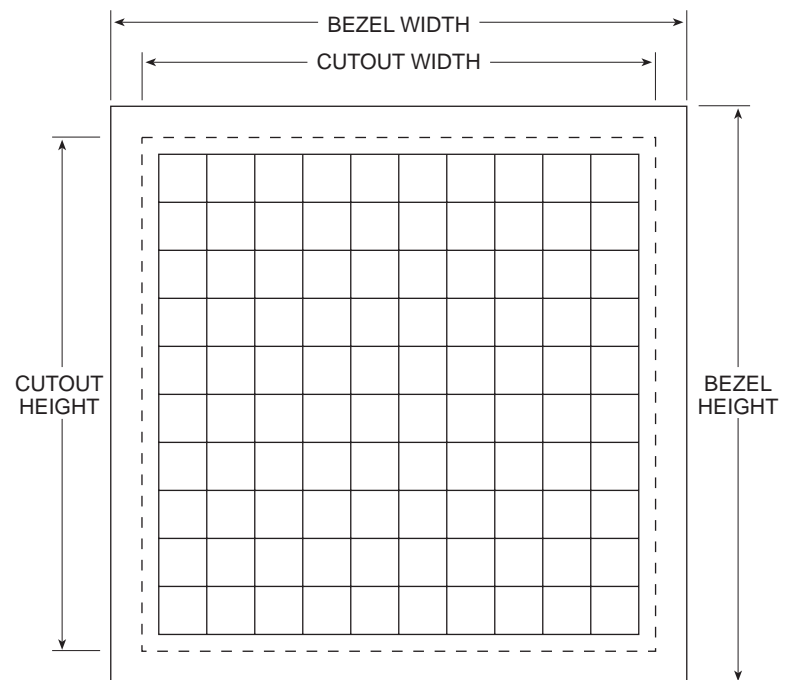
Depth Behind Panel:
4.5" (114.3 mm) maximum.

Dimensions are in inches with millimeters in parentheses ().

	NUMBER OF CELLS WIDE														
	1W	2W	3W	4W	5W	6W	7W	8W	9W	10W	11W	12W	13W	14W	15W
Bezel Width	5.26 (133.6)	8.17 (207.5)	11.08 (281.6)	13.99 (355.3)	16.90 (429.3)	19.83 (503.7)	22.74 (577.6)	25.65 (651.5)	28.56 (725.4)	31.47 (799.3)	34.38 (873.2)	37.29 (947.1)	40.20 (1021.1)	43.11 (1094.9)	46.02 (1168.9)
Cutout Width	4.01 (101.9)	6.92 (175.8)	9.83 (249.7)	12.74 (323.6)	15.65 (397.5)	18.56 (471.4)	21.47 (545.3)	24.38 (619.3)	27.29 (693.2)	30.20 (767.1)	33.11 (840.9)	36.02 (914.9)	38.93 (988.8)	41.84 (1062.7)	44.75 (1136.6)

	NUMBER OF CELLS HIGH														
	1H	2H	3H	4H	5H	6H	7H	8H	9H	10H	11H	12H	13H	14H	15H
Bezel Height	5.75 (146.0)	9.15 (233.0)	12.56 (319.0)	15.97 (405.6)	19.37 (492.0)	22.77 (578.3)	26.17 (664.7)	29.58 (751.3)	32.99 (837.9)	36.4 (924.5)	39.80 (1011.2)	43.20 (1097.8)	46.50 (1184.4)	50.00 (1271.0)	53.40 (1357.6)
Cutout Height	4.50 (114.3)	7.90 (200.7)	11.30 (287.0)	14.70 (373.4)	18.10 (459.7)	21.50 (546.1)	24.90 (632.5)	28.30 (718.8)	31.70 (805.2)	35.10 (891.5)	38.50 (978.2)	41.90 (1064.8)	45.30 (1151.4)	48.70 (1238.0)	52.10 (1324.6)

Note: Consult factory for displays beyond 15 high x 15 wide.

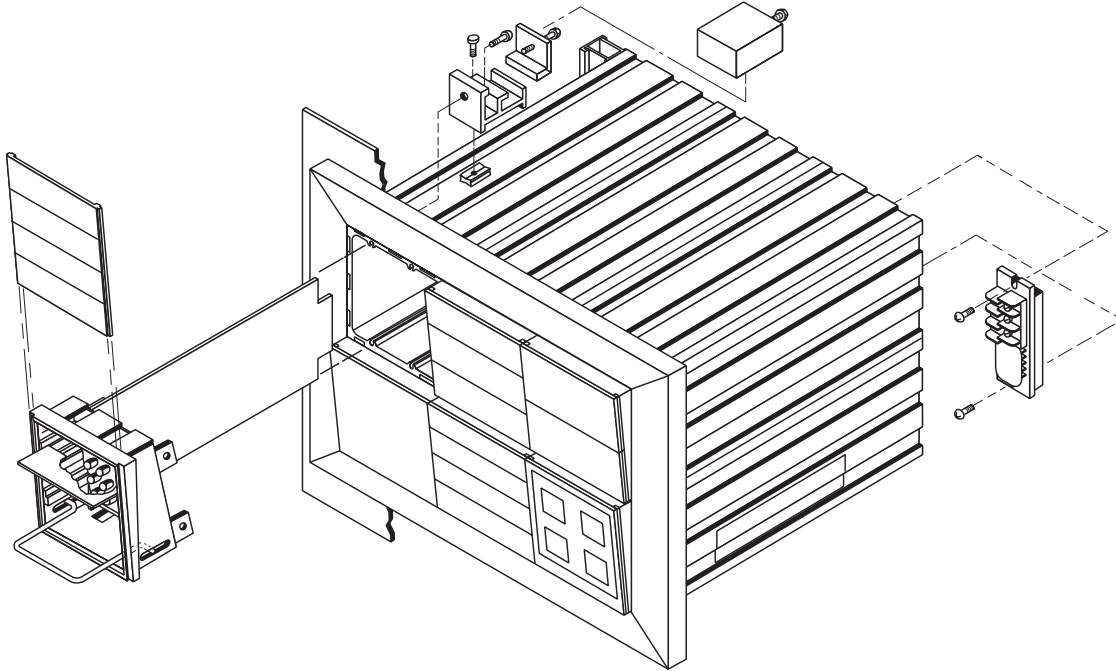


AMETEK

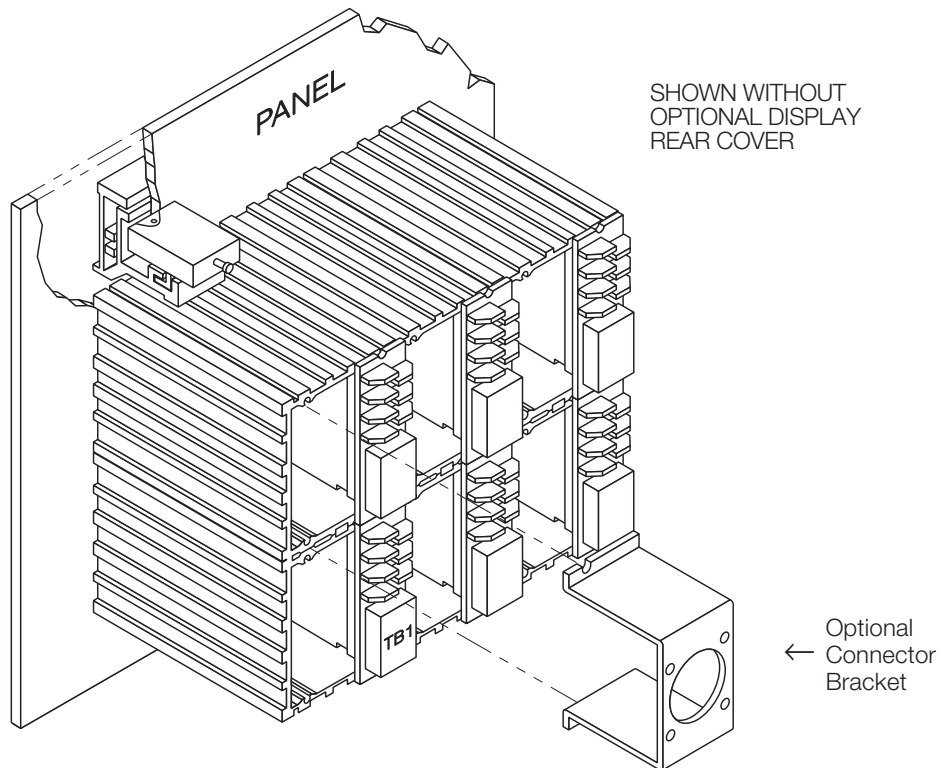
Alarm and Event Recording

AN-5131 Dimensions & Connections

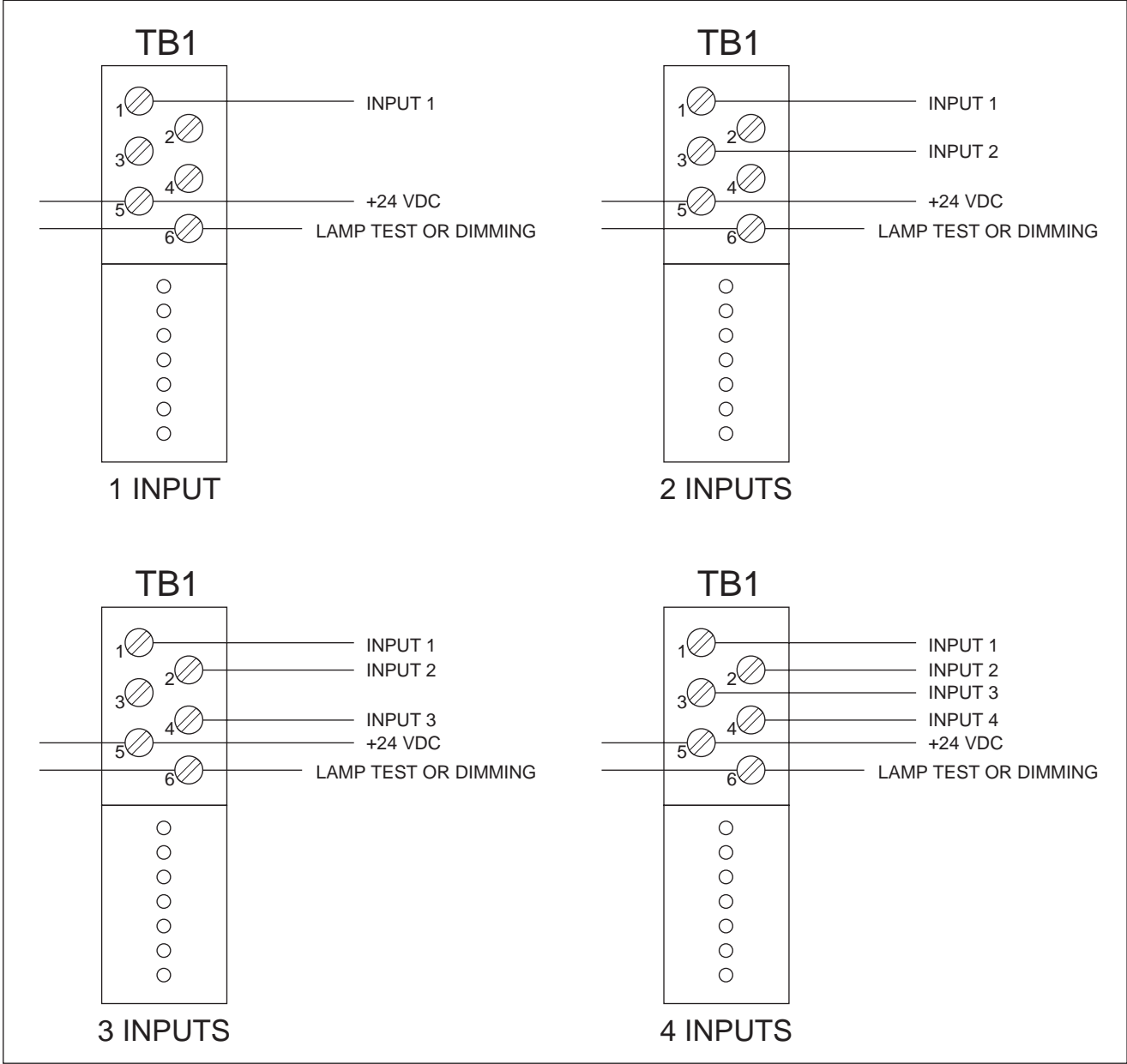
General Outline — Front View



General Outline — Rear View



Display Cell Input Wiring Connections



AMETEK

Alarm and Event Recording

AN-5131 NEMA Panel Covers

For applications where panel mounted annunciation in hostile environments is required, NEMA 4/12 panel covers are recommended. Many standard sizes are available. To help choose the panel cover that best meets your needs, please consult the adjacent chart.

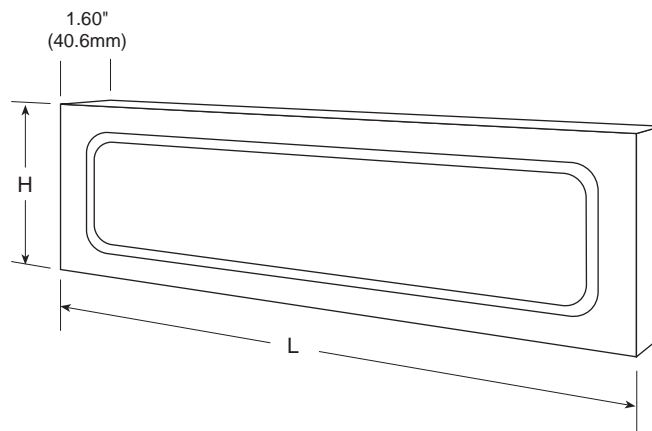
NEMA Front Cover (NFC) Options		
Approximate Dimensions		
Cell Format	H	L
1 high x 3 wide	8.94" (227.0 mm)	14.89" (378.2 mm)
x 4 wide	8.94" (227.0 mm)	17.80" (452.1 mm)
x 5 wide	8.94" (227.0 mm)	20.71" (526.0 mm)
x 6 wide	8.94" (227.0 mm)	23.62" (599.9 mm)
x 7 wide	8.94" (227.0 mm)	26.53" (673.8 mm)
x 8 wide	8.94" (227.0 mm)	29.44" (747.8 mm)
2 high x 2 wide	12.34" (313.4 mm)	11.98" (304.3 mm)
x 3 wide	12.34" (313.4 mm)	14.89" (378.2 mm)
x 4 wide	12.34" (313.4 mm)	17.80" (452.1 mm)
x 5 wide	12.34" (313.4 mm)	20.71" (526.0 mm)
x 6 wide	12.34" (313.4 mm)	23.62" (599.9 mm)
x 7 wide	12.34" (313.4 mm)	26.53" (673.8 mm)
x 8 wide	12.34" (313.4 mm)	29.44" (747.8 mm)
x 9 wide	12.34" (313.4 mm)	32.35" (821.7 mm)
3 high x 3 wide	15.74" (399.8 mm)	14.89" (378.2 mm)
x 4 wide	15.74" (399.8 mm)	17.80" (452.1 mm)
x 5 wide	15.74" (399.8 mm)	20.71" (526.0 mm)
x 6 wide	15.74" (399.8 mm)	23.62" (599.9 mm)
x 7 wide	15.74" (399.8 mm)	26.53" (673.8 mm)
x 8 wide	15.74" (399.8 mm)	29.44" (747.8 mm)
x 12 wide	15.74" (399.8 mm)	41.08" (1043.4 mm)
4 high x 2 wide	19.14" (486.1 mm)	11.98" (304.3 mm)
x 3 wide	19.14" (486.1 mm)	14.89" (378.2 mm)
x 4 wide	19.14" (486.1 mm)	17.80" (452.1 mm)
x 6 wide	19.14" (486.1 mm)	23.62" (599.9 mm)
x 8 wide	19.14" (486.1 mm)	29.44" (747.8 mm)
x 9 wide	19.14" (486.1 mm)	32.35" (821.7 mm)
x 12 wide	19.14" (486.1 mm)	41.08" (1043.4 mm)
5 high x 3 wide	22.54" (572.5 mm)	14.89" (378.2 mm)
x 4 wide	22.54" (572.5 mm)	17.80" (452.1 mm)

Standard depth is 1.60" (40.6 mm)

NOTE: Please consult factory for certified drawings and for other available sizes.

Hinged NEMA 4/12 Panel Mount Covers

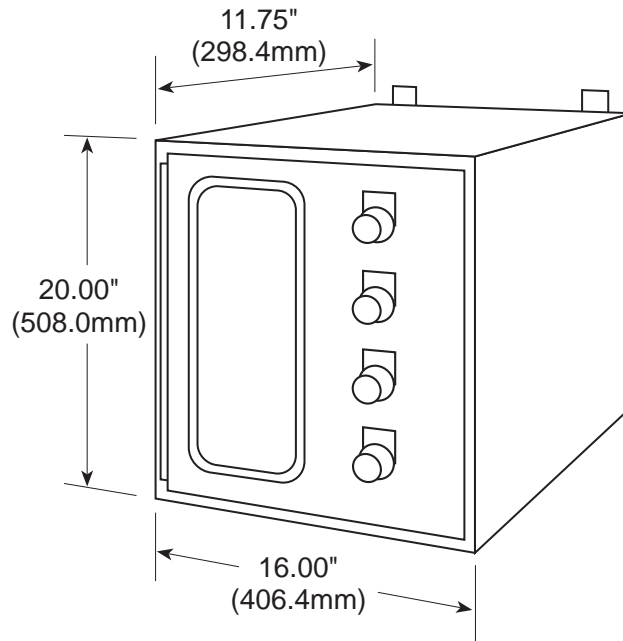
The panel cover is constructed of 16 gauge, cold-rolled steel with a textured black finish. The corners are sealed by a neoprene sponge gasket and the window is 1/8" thick plexiglass. Adjustable grip latches secure the hinged cover to the mounting plate.



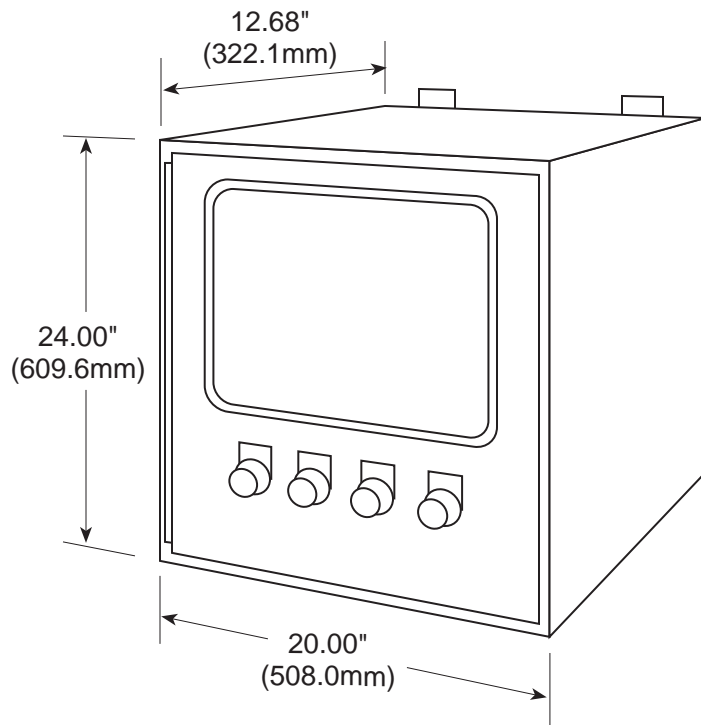
AN-5131 For Harsh Environment

NEMA Enclosures

Three standard NEMA 4/12 type surface mount enclosures are available: a 12 cell model (3H x 4W), an 8 cell model (4H x 2W) and a 4 cell model (4H x 1W). All housings are oil-tight, water-tight, weather resistant and can be equipped for purge applications. Standard features include door-mounted pushbuttons. Available options include external audibles and pushbuttons, and a common-alarm rotating dome light. The rotating dome light is designed to alert operators of alarms in conditions where noise may drown out audibles. It can be specified in red, blue, amber, or green for either integral or remote mounting.



Surface Mount NEMA 4/12
Enclosure - 4H x 1W and 4H x 2W



Surface Mount NEMA 4/12
Enclosure - 3H x 4W

AMETEK

Alarm and Event Recording

AN-5131 Specifications

Input Signals (Alarm Signals):

Lamp inputs provided by remote annunciator electronics assembly, such as Ametek AN-6100R remote annunciator system.

Power Requirements:

24 volt lamps, powered by remote annunciator electronics system.

Controls (Integral or Remote):

- A. Acknowledge pushbutton.
- B. Silence pushbutton.
- C. Test pushbutton.
- D. Reset pushbutton.

Packaging:

Extruded aluminum cell with interchangeable plug-in modules.

Ambient Temperature Range:

32°F to 140°F, 0°C to 60°C.

Humidity: 0-95% non-condensing.

Window Sizes:

- A. 0.83" x 2.85" (21.25 x 72.39mm), standard.
- B. 1.11" x 2.85" (28.3 x 72.39mm), medium.
- C. 1.67" x 2.85" (42.42 x 72.39mm), large.
- D. 3.34" x 2.85" (84.84 x 72.39mm), extra large.

Weight: 1.68 lbs (0.76 kg) per cell.

AN-5131 Ordering

The model number of the AN-5131 consists of seven (7) items derived from the order codes listed below. When ordering a system that includes any "intermix" options (e.g. more than one window color), an intermix order form should be completed to fully define the annunciator display. If you have any questions, contact your nearest Ametek sales office for assistance.

Each item has a unique order code which must be entered in its specific location in the model number sequence. The following is a tabulation of the order codes that must be used for each and every item of the standard model number.

AN-5131 -	<u>1</u>	x	<u>2</u>	-	<u>3</u>	-	<u>4</u>	-	<u>5</u>	-	<u>6</u>	-	<u>7</u>
	Number of		Number of		Window		Active		Window		Standard		Engraving
	Cells High		Cells Wide		Size		Points		Color		Options		

ORDER CODE FOR EACH ENTRY ITEM

Item 1

The order code defines the number of cells high.

Item 2

The order code defines the number of cells wide.

Item 3

Order

Code Window Size

- 4 Standard, 4 per cell
- 3E Medium, 3 per cell, field expandable
- 2E Large, 2 per cell, field expandable
- 1E Extra large, 1 per cell, field expandable
- LED LED display, 4 per cell
- FC Future cell, provided with an extra large size, matching window (module and lamps not included)
- IMW Intermix window size

Item 4

Active Point — define total number of equipped or active points.

Item 5

Order

Code Window Color

- W White
 - R Red
 - A Amber
 - G Green
 - B Blue
 - LED LED
 - IMC Intermix window color
- Refer to Intermix Matrix Order Form on page 2.23 for location.

Item 6

Order

Code Standard Options

- NR None required
- STD/1 19" rack mounting, 1 - 12H x 6W only
- STD/2 19 inch bezel rack mounting
- STE Cover for rear terminals
- STG-1* Sonalert (steady) mounted in a cell
- STG-2* Sonalert (pulsing) mounted in a cell
- STH* Silence/acknowledge/rest/test pushbuttons mounted in a cell
- NFC Reference page 2.53 for dimensions
- STY Integral plug connector - up to 32 points per plug
- DMR Dim resistors - applied per cell only
- TSD Test diodes - applied per cell only

* Location must be defined by completing the intermix matrix form.

NOTE: Any model number containing IMW or IMC designations requires an intermix matrix order form.

Item 7

Order

Code Engraving

- Y Engraving provided by Ametek
- NR Engraving not required